



Index chapter 7

Section / Description	page
INCLINOMETERS	4
LENGTH AND ANGLE SENSORS	6
SLIP-IN SPOOL POSITION TRANSDUCER	8
PROXIMITY SENSOR	10
MATERIAL SENSOR	11
ACCESSORIES	12

WARNING: the specifications/application data shown in our catalogs and data sheets are intended only as a general guide for the product described (herein). Any specific application should not be undertaken without independent study, evaluation, and testing for suitability.

Description	Technical information page
Single axis inclinometer	4
Dual axis inclinometer (tilt device)	5
Length and angle sensor	6
Slip-in spool position transducer	8
Proximity sensor	10
Material sensor	11
Accessories	12

WARNING: the specifications/application data shown in our catalogs and data sheets are intended only as a general guide for the product described (herein). Any specific application should not be undertaken without independent study, evaluation, and testing for suitability.

EC-SNR-ANG-S9090-H Single Axis Inclinometer

DESCRIPTION

Absolute single axis inclinometer sensor based on earth's gravity.

OPERATION

Signal output is linearly proportional to the tilt angle to the ground. With a measurement range of $\pm 90^\circ$ this device provides a 0.5 to 4.5 VDC output signal over its range with a nominal 2.5 VDC at 0 degree. It is normally used to control the inclination of a mechanical structure respect to the earth line.

FEATURES

- Supply line is protected against reversed polarity and load dump.
- Outputs are protected against short circuits to GND and supply.
- Vibration and shock resistant.
- Anti-debouncing software filter.
- CE certification.
- Electro Magnetic Compatibility (EMC): EN 61000-6-2 (Immunity)
EN 61000-6-3 (Emissions)

SPECIFICATIONS

• Operating voltage:	8.5 ÷ 30 VDC
• Max current consumption:	20 mA
• Output signal:	0.5 ÷ 2.5 ÷ 4.5 VDC
• Max current output:	10 mA
• Max working angle:	$\pm 90^\circ$
• Resolution:	0.25°
• Operating temperature:	-40°C / +125°C
• Degree of protection:	IP 68
• Connector type:	Deutsch DT04-4P or M12
• Fixing screws included:	4 - M4x20

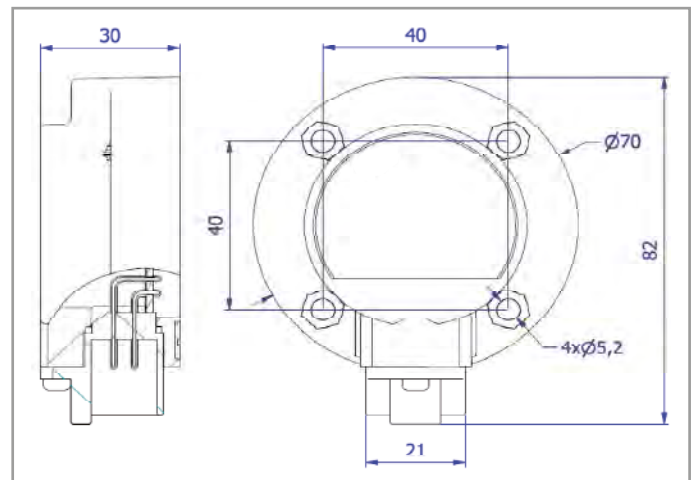
APPLICATIONS

- 12 VDC and 24 VDC systems.
- Inclination sensor for articulated cranes and aerial platforms.

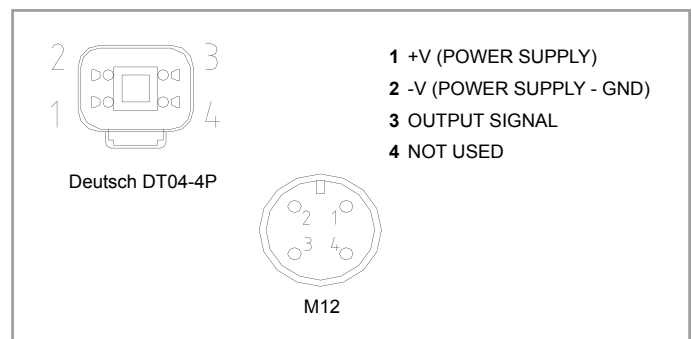
ORDERING CODE: **20.0401.016** (with Deutsch connector)
20.0401.018 (with M12 connector)



DIMENSIONS



CONNECTIONS



WARNING: the specifications/application data shown in our catalogs and data sheets are intended only as a general guide for the product described (herein). Any specific application should not be undertaken without independent study, evaluation, and testing for suitability.

EC-SNR-ANG-D3030-H Dual Axis Inclinometer (tilt device)

DESCRIPTION

Absolute dual axis inclinometer sensor based on earth's gravity.

OPERATION

Signal outputs are linearly proportional to the tilt angle to the ground. With a measurement range of $\pm 30^\circ$ this device provides a 0.5 to 4.5 VDC output signal over its range with a nominal 2.5 VDC at 0 degree. It is normally used to control the planarity of chassis or mechanical structure respect to the earth line.

FEATURES

- Supply line is protected against reversed polarity and load dump.
- Outputs are protected against short circuits to GND and supply.
- Microprocessor based.
- Vibration and shock resistant.
- Anti-debouncing software filter.
- CE certification.
- Electro Magnetic Compatibility (EMC): EN 61000-6-2 (Immunity)
EN 61000-6-3 (Emissions)

SPECIFICATIONS

• Operating voltage:	8.5 ÷ 30 VDC
• Max current consumption:	20 mA
• Output signal:	0.5 ÷ 2.5 ÷ 4.5 VDC
• Max current output:	10 mA
• Max working angle for each axis:	$\pm 30^\circ$
• Resolution:	0.10°
• Operating temperature:	-40°C / +125°C
• Degree of protection:	IP 68
• Connector type:	Deutsch DT04-4P or M12
• Fixing screws included:	4 - M4x20

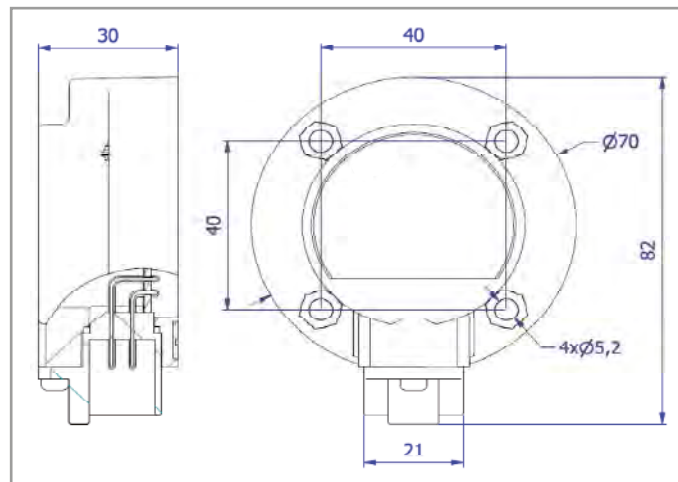
APPLICATIONS

- 12 VDC and 24 VDC systems.
- Automatic self levelling system for trucks, agricultural machines and lift equipment.
- Vehicle tilt monitoring.

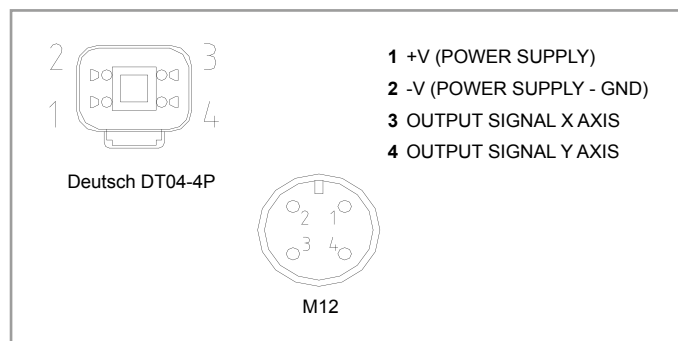
ORDERING CODE: **20.0401.012/A** (with Deutsch connector)
20.0401.019/A (with M12)



DIMENSIONS



CONNECTIONS



WARNING: the specifications/application data shown in our catalogs and data sheets are intended only as a general guide for the product described (herein). Any specific application should not be undertaken without independent study, evaluation, and testing for suitability.

EC-SNR-LA-1290-H Length and Angle Sensor

DESCRIPTION

Heavy duty, high protection length and angle sensor with redundant output signals.

OPERATION

It can be used for monitoring the position of a telescopic boom. The "double sensors" system provides the highest safety features, as required for load limiter control systems.

It is normally used in conjunction with other MMS electronic units with the double microprocessor technology to implement safety functions according to ISO 13849.

FEATURES

- Supply line is protected against reversed polarity and load dump.
- Outputs are protected against short circuits to GND and supply.
- Cable entry on the left or on the right.
- CE certification.
- Electro Magnetic Compatibility (EMC): EN 61000-6-2 (Immunity)
EN 61000-6-3 (Emissions)

SPECIFICATIONS

- Operating temperature: -25°C / +85°C
- Degree of protection: IP 65
- Connector type: Deutsch DT04-8P

Angle sensor

- Operating voltage: 8.5 ÷ 30 VDC
- Max current consumption: 20 mA
- Output signal: 0.5 ÷ 2.5 ÷ 4.5 VDC
- Max working angle: ±90°
- Redundancy: YES (dual angle sensor)

Length sensor

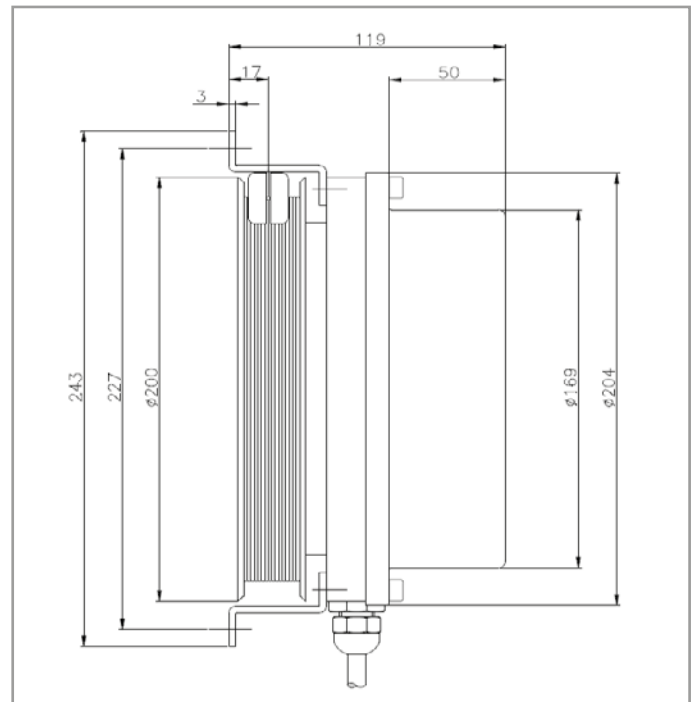
- Operating voltage: 5 VDC
- Output signal: 0 ÷ 5 V
- Max working length: 12 meters
- Potentiometer resistance: 5kΩ
- Redundancy: YES (dual angle sensor)

APPLICATIONS

- 12 VDC and 24 VDC systems.
- Load limiter and/or area control systems for cranes and aerial platforms.



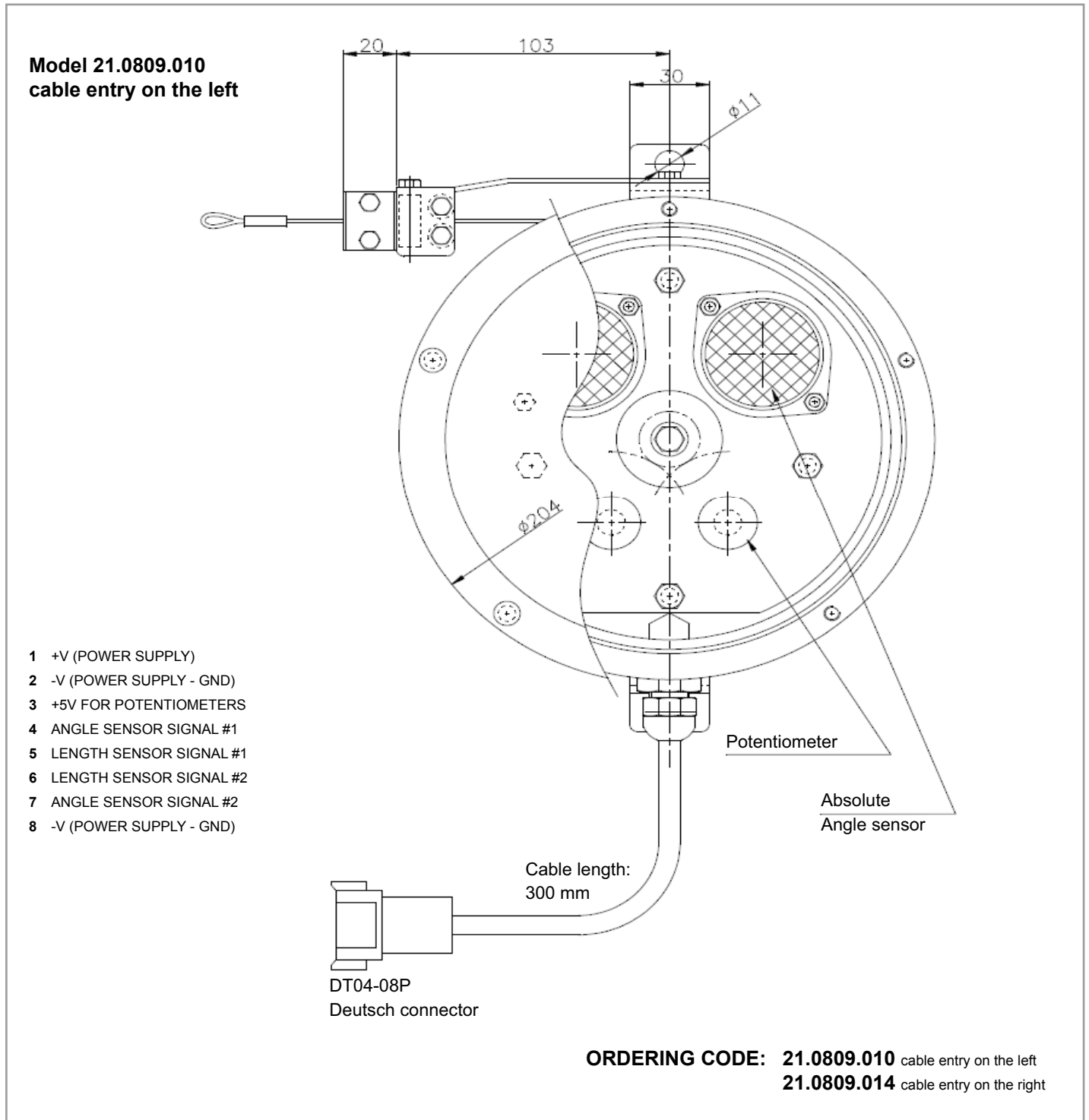
DIMENSIONS



WARNING: the specifications/application data shown in our catalogs and data sheets are intended only as a general guide for the product described (herein). Any specific application should not be undertaken without independent study, evaluation, and testing for suitability.

EC-SNR-LA-1290-H Length and Angle Sensor

WIRING DIAGRAM



WARNING: the specifications/application data shown in our catalogs and data sheets are intended only as a general guide for the product described (herein). Any specific application should not be undertaken without independent study, evaluation, and testing for suitability.

EC-SNR-POS-75S-H Slip-In Spool Position Transducer

DESCRIPTION

Position transducer based on Hall effect sensor to detect a stroke of ± 7.5 mm. Slip-in assembly.

OPERATION

Signal output is linearly proportional to the stroke. With a measurement range of ± 7.5 mm this device provides a 1 to 4 VDC output signal over its range with a nominal 2.5 VDC in the neutral position. It can be used as a safety device in conjunction with Tecnord's MMS electronic units (e.g. MMS 1521).

FEATURES

- Power supply line is protected against reversed polarity and overvoltage.
- Output protected against short circuits to GND and supply.
- Redundant version (dual electronics) available.
- Electro Magnetic Compatibility (EMC): EN 61000-6-2 (Immunity)
EN 61000-6-3 (Emissions)

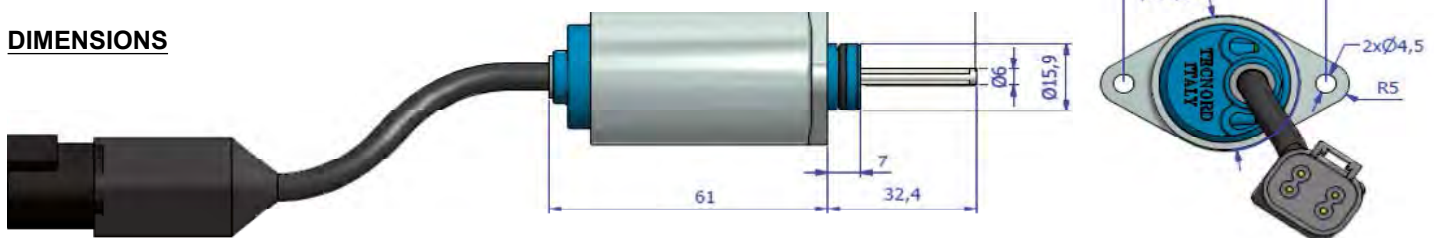
SPECIFICATIONS

• Operating voltage:	6 ÷ 32 VDC
• Max current consumption:	<15mA
• Operating temperature:	-25°C / +105°C
• Degree of protection:	IP 67
• Maximum operating pressure:	35 bar
• Output signal:	1 + 2.5 ÷ 4 VDC
• Tolerance on output signal:	± 0.2 VDC
• Electrical stroke linearity range:	± 7.5 mm
• Maximum mechanical stroke:	± 8 mm
• Connector pins:	1 +V (POWER SUPPLY) 2 -V (POWER SUPPLY-GND) 3 Output signal 4 Not used
• Connector type:	Deutsch DT04-4P

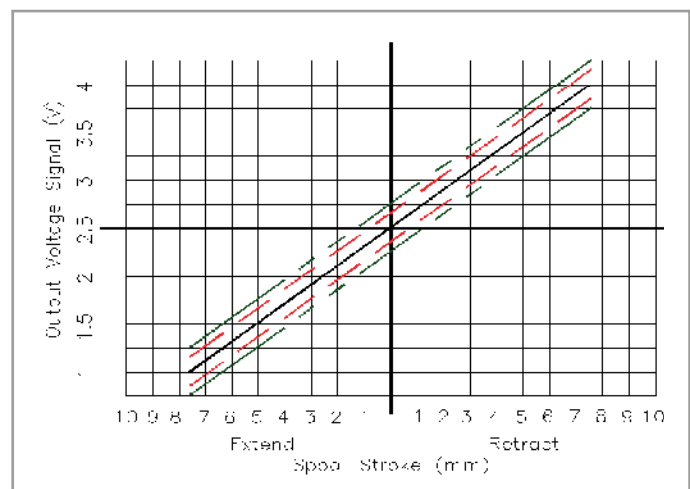
APPLICATIONS

- 12 VDC and 24 VDC systems.
- Spool position detect for electrohydraulic manifolds.

DIMENSIONS



OUTPUT SIGNAL



ORDERING CODE: 20.0204.007

WARNING: the specifications/application data shown in our catalogs and data sheets are intended only as a general guide for the product described (herein). Any specific application should not be undertaken without independent study, evaluation, and testing for suitability.

EC-SNR-POS-750-H Slip-In Spool Position Transducer

DESCRIPTION

Position transducer based on Hall effect sensor to detect a movement from the neutral (zero) position. Slip-in assembly.

OPERATION

The sensor provides two directional signal outputs, each output becomes active when a movement is detected in its corresponding direction. Outputs are active low. Two low outputs means fault. It can be used as a safety device in conjunction with Tecnord's MMS electronic units (e.g. MMS 1521).

FEATURES

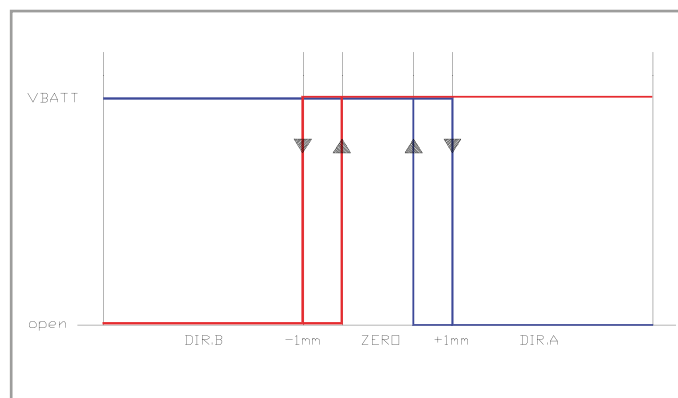
- Power supply line is protected against reversed polarity and overvoltage.
- Output protected against short circuits to GND and supply.
- Redundant version (dual electronics) available.
- Electro Magnetic Compatibility (EMC): EN 61000-6-2 (Immunity) EN 61000-6-3 (Emissions)

SPECIFICATIONS

• Operating voltage (VBATT):	6 ÷ 32 VDC
• Max current consumption:	<15mA
• Operating temperature:	-25°C / +105°C
• Degree of protection:	IP 67
• Maximum operating pressure:	35 bar
• Output signal (inactive):	open collector (pnp)
• Output signal (active):	VBATT
• Switching threshold:	1 mm
• Maximum mechanical stroke:	±8 mm
• Connector pins:	1 +V (POWER SUPPLY) 2 -V (POWER SUPPLY) 3 OUT A 4 OUT B
• Connector type:	Deutsch DT04-4P



OUTPUT SIGNAL

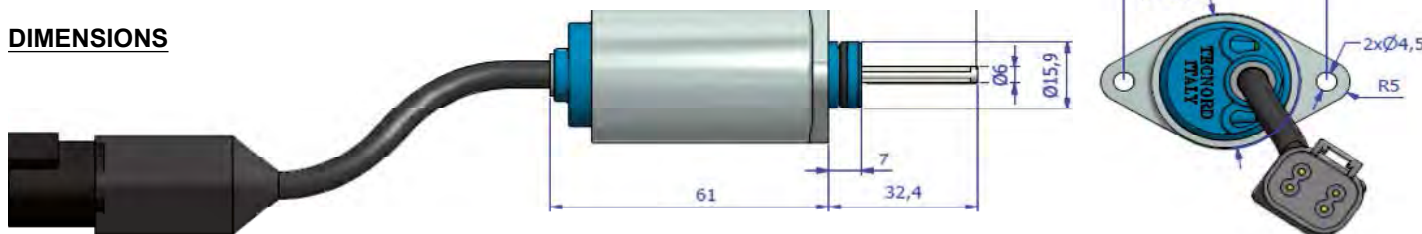


ORDERING CODE: 20.0204.006

APPLICATIONS

- 12 VDC and 24 VDC systems.
- Spool position detect for electrohydraulic manifolds.

DIMENSIONS



WARNING: the specifications/application data shown in our catalogs and data sheets are intended only as a general guide for the product described (herein). Any specific application should not be undertaken without independent study, evaluation, and testing for suitability.

EC-SNR-PRX-0102-H Proximity Sensor

DESCRIPTION

Heavy duty, high protection proximity sensor based on hall effect.

OPERATION

The sensor can be used to detect the presence of gear teeth and can be used to measure the speed of a rotating shaft.

FEATURES

- Supply line is protected against reversed polarity.

SPECIFICATIONS

Operating voltage:	4 ÷ 26 VDC
Max current consumption:	11 mA
Max current output:	20 mA
Operating temperature:	-40°C / +150°C
Degree of protection:	IP68
Mechanical connection:	M18x1.5
Detecting distance:	0.1 - 2 mm
Max frequency for tooth detection:	8 kHz
Output signal:	0 VDC - max V supply
Output type:	NPN or PNP
3 wires cable, 0.75 mm ² section, 200 mm length	

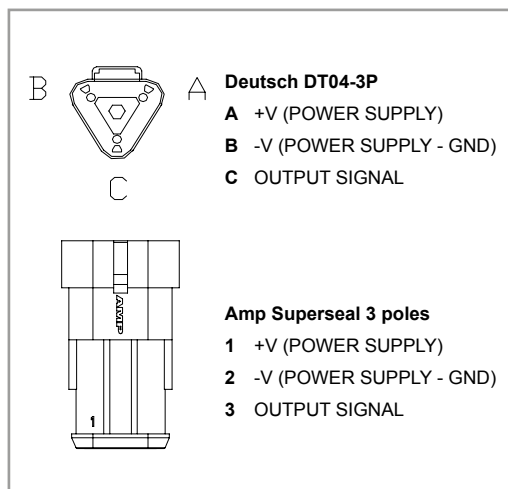
APPLICATIONS

- 12 VDC and 24 VDC systems.
- Transmission speed measurement.
- Stop motion detector and tachometer.

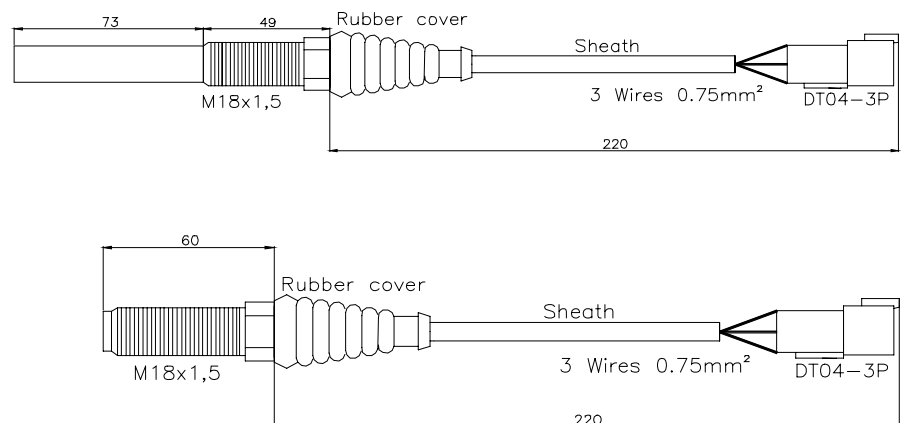


ORDERING CODE: **20.0401.006** (Type: 68 mm - NPN - Deutsch)
20.0401.007 (Type: 130 mm - NPN - Deutsch)
20.0401.020/A (Type: 68 mm - PNP - Amp)

CONNECTIONS



DIMENSIONS



WARNING: the specifications/application data shown in our catalogs and data sheets are intended only as a general guide for the product described (herein). Any specific application should not be undertaken without independent study, evaluation, and testing for suitability.

EC-SNR-EOM-H Material Sensor

DESCRIPTION

End of material sensor based on a piezoelectric device designed for use in the extremely harsh environment associated with the rear of a mobile road salt spreader.

OPERATION

When the material from the “Spinner” hits the stainless steel probe, the sensor is activated and turn the output signal ON (+V).
When no material is detected hitting the probe, the sensor turns the output signal OFF (open). It can be used as an auxiliary device in conjunction with the Tecnord **Ecomatic** salt spreader control unit.

FEATURES

- Supply line is protected against reversed polarity and overvoltage.
- Output protected against short circuits to GND and supply.
- No requirements for “screened” wires between the sensor and the control unit in cab.
- No extra electronics needed for the sensor to operate.
- High quality stainless steel probe for extended operational life.
- Electro Magnetic Compatibility (EMC): EN 61000-6-2 (Immunity)
EN 61000-6-3 (Emissions)

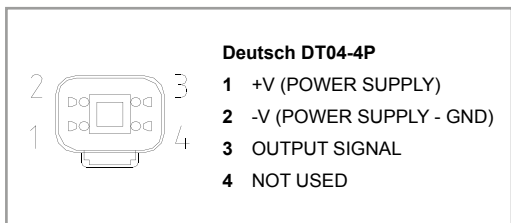
SPECIFICATIONS

• Operating voltage:	8 ÷ 32 VDC
• Max current consumption:	20mA
• Operating temperature:	-25°C / +85°C
• Degree of protection:	IP 67
• Digital output:	PNP type
• Max output current:	250mA
• Connector type:	Deutsch DT04-4P

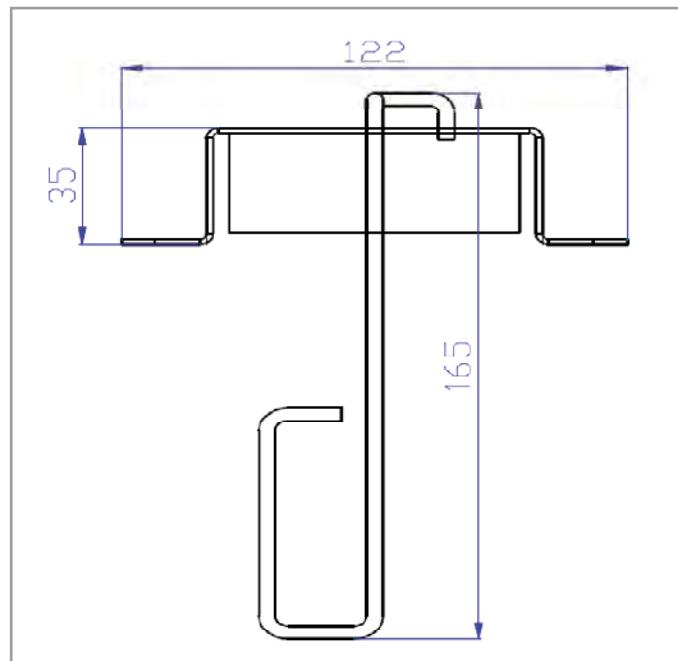
APPLICATIONS

- 12 VDC and 24 VDC systems.
- End of material sensor for salt spreader systems.
- EOM sensor for agricultural spreader systems (e.g. fertilizers).

CONNECTIONS



DIMENSIONS



ORDERING CODE: 20.0401.037

WARNING: the specifications/application data shown in our catalogs and data sheets are intended only as a general guide for the product described (herein). Any specific application should not be undertaken without independent study, evaluation, and testing for suitability.

Sensors Connections Accessories**3 POLES AMP SUPERSEAL**

Kit includes: male connector, female contacts, and fillers.

Available for sensor: EC-SNR-POS-55-H

ORDERING CODE: 13.0310.127

**4 POLES AMP SUPERSEAL**

Kit includes: male connector, female contacts, and fillers.

Available for sensor: EC-SNR-POS-75-H

ORDERING CODE: 13.0310.542

**3 POLES DEUTSCH DT06-3S**

Kit includes: male connector, female contacts, secondary lock and fillers.

Available for sensor: EC-SNR-PRX-0102-H

ORDERING CODE: 13.0310.394

**4 POLES DEUTSCH DT06-4S**

Kit includes: male connector, female contacts, secondary lock and fillers.

Available for sensor: EC-SNR-ANG-S9090-H, EC-SNR-ANG-D3030-H, EC-SNR-EOM-H

ORDERING CODE: 13.0310.132



WARNING: the specifications/application data shown in our catalogs and data sheets are intended only as a general guide for the product described (herein). Any specific application should not be undertaken without independent study, evaluation, and testing for suitability.

Sensors Connections Accessories**8 POLES DEUTSCH DT06-8S**

Kit includes: male connector, female contacts, secondary lock and fillers.

Available for sensor: EC-SNR-LA-1290-H

ORDERING CODE: 13.0310.432



WARNING: the specifications/application data shown in our catalogs and data sheets are intended only as a general guide for the product described (herein).
Any specific application should not be undertaken without independent study, evaluation, and testing for suitability.